

POWER SUPPLY OPTIONS

POWER PASS OPTION

Link Off: No Power Pass, normal installation direct to aerial terminals.

Link On: Pass Power via aerial input, to power masthead amplifier.

DIODE PROTECTED POWERING OPTIONS

The SAM224 may be individually or multipowered via any or all output ports.

A: Individual Powering: Via any ONE output port.
Recommended power supplies: PSK06 / PSK08.

B: DC Multi Powering: Via 2, 3, OR 4 output ports.
Recommended power supply: PSK06 only.

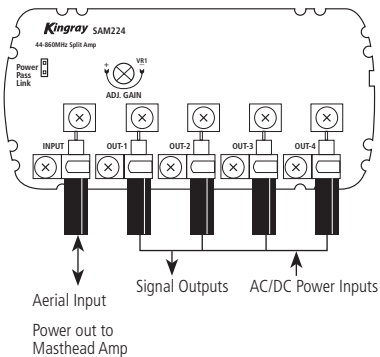
IMPORTANT:

Apply DC only when powering to more than one output port. eg. PSK06:14 V DC.

SPECIFICATIONS

Frequency Range	44 - 860 MHz		
Maximum Gain	VHF 12 dB UHF 16 dB		
Output level	99 dB DIN45004B / -60 dBIM		
Noise Figure Typical	< 3.5 dB		
Return Loss	> 10 dB		
Supply Voltage/Current	PSK06 14 V DC	70 mA	
	PSK08 17.5 V AC	70 mA	
Adjustable Sloped Gain Control	14 dB @ 44 MHz 8 dB @ 860 MHz		

ANTENNA INSTALLATIONS



Kingray

Optimised for both Digital and
Analogue TV Signal Amplification

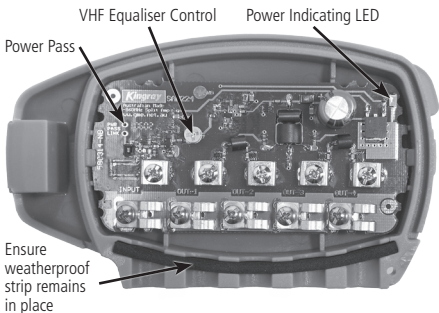
INSTALLATION MANUAL

MODEL SAM224

Remote Powered 4 Way Splitter Amplifier

Thank you for selecting an Australian designed and built Splitter amplifier.

The SAM224 is a wideband 4 Way Splitter Amplifier designed with unique features for multipurpose applications:



- **Multipowering** - Ideal for duplex or flats with no common power.
- **VHF Equaliser Control** - Balance VHF lowband / VHF highband and UHF signals for distribution.
- **Power Pass** - In line application to power through to a masthead amplifier.
- **Multipowering** - Weatherproof housing allows both indoor (screw to rafter or beam) or outdoor (strap to mast) mounting options.

WARRANTY

Standard Communications PTY. LTD warrants this Kingray product to be free from defects in material and workmanship for a period of 3 years from the

date of installation and reserves the right to void warranty if unit was misused, improperly installed or damaged by claimant.

A Division of **Standard Communications PTY. LTD.**

HEAD OFFICE: Locked Bag 2086, North Ryde N.S.W. 1670.

P: (02) 9844 6666, F: (02) 9844 6600

www.gme.net.au

SYDNEY

P: (02) 9879 8888

F: (02) 9816 4722

E: nsnbrch@gme.net.au

MELBOURNE

P: (03) 9798 0988

F: (03) 9798 0177

E: vcbrch@gme.net.au

BRISBANE

P: (07) 3278 6444

F: (07) 3278 6555

E: qdrch@gme.net.au

ADELAIDE

P: (08) 8234 2633

F: (08) 8234 5138

E: sabrch@gme.net.au

PERTH

P: (08) 9455 5744

F: (08) 9455 3110

E: wabrch@gme.net.au

AUCKLAND

P: (09) 274 0955

F: (09) 274 0959

E: nzbrch@gme.net.au