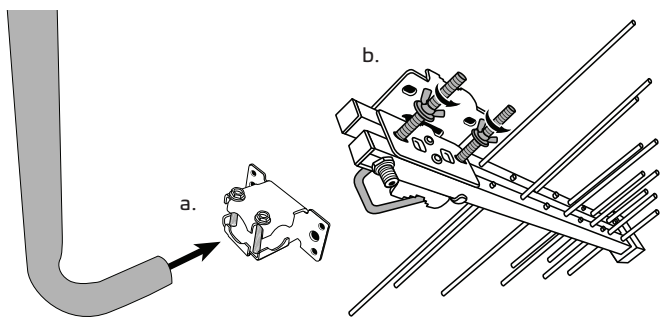


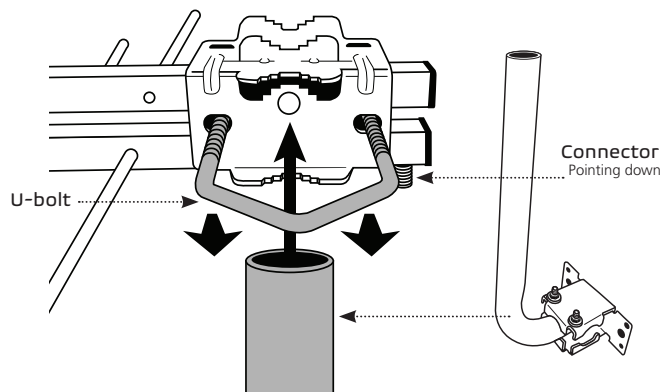
Kingray

Specialists in Digital TV Distribution Solutions

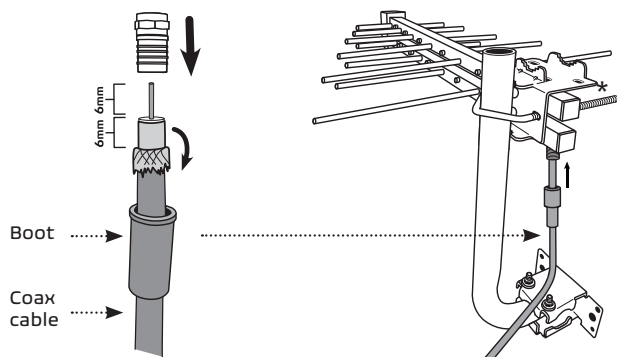
Mini Log UHF Digital TV Antenna Installing the antenna



1. a. Loosen nuts on bracket, slide in the J-Pole and tighten nuts.
b. Unscrew wingnuts to loosen the U-bolt.



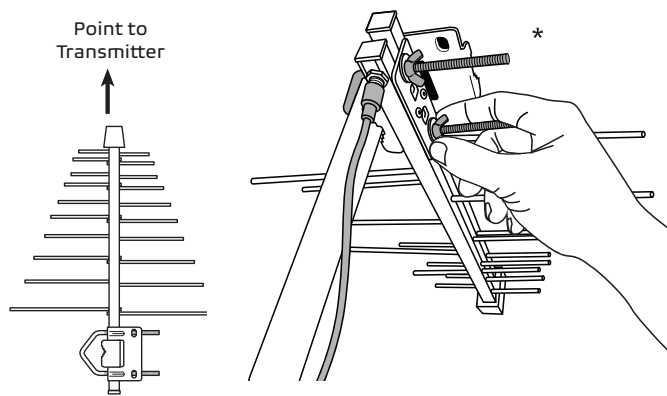
2. Slide the mast through the U-Bolt and finger tighten the wingnuts.



3. Slide boot onto the coax cable. Strip the cable back, attach and crimp the F-connector. Then screw the F-connector onto the antenna as shown above. Slide the boot along the cable to cover the connector.

* Diagrams shows the antenna is mounted in a horizontal polarisation.
For vertical polarisation remove the U-bolt and use the 90° offset mounting holes.

† F-connector not included



4. Point the antenna towards the transmitter. Tighten the wingnuts firmly once the antenna is positioned correctly.

Model Number	Elements	Channels	Frequency	Gain	F/B Ratio	Overall Length	Maximum Width	Polarity
KMLP01	20	21-69	470 - 862MHz	7.5dB	21dB	400mm	311mm	Horizontal or Vertical