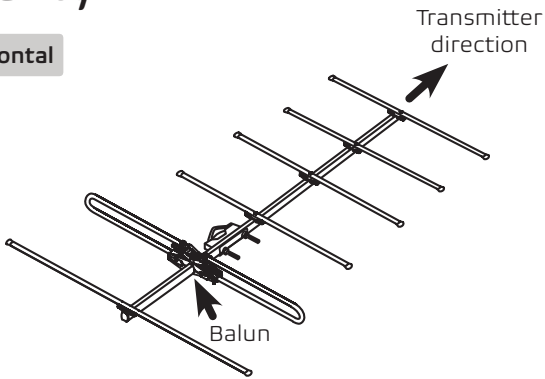


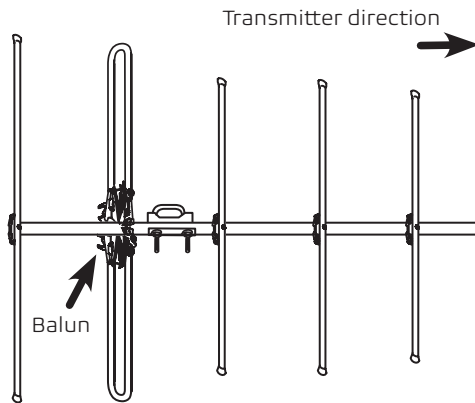
Polarity

Horizontal



Make sure the balun is on the underside of the antenna and the antenna is pointing towards the transmitter.

Vertical



For vertical polarisation, remove the bracket and reattach to the boom so that the antenna can be mounted vertically.

Features



Quick and Easy Installation



Heavy Duty



Weatherproof F Type Balun



UV Stabilised

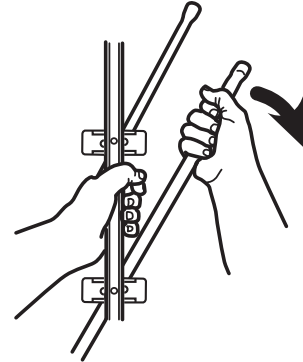


Channels 6 - 12

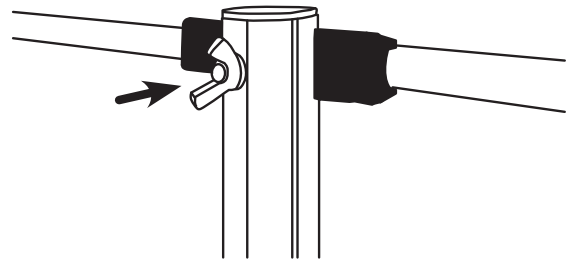


DAB+ Digital Radio Suitable

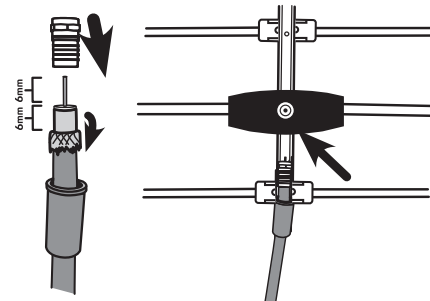
- 1 Rotate the elements until they lock into place.



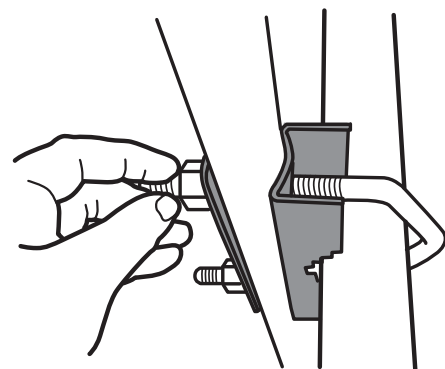
- 2 Attach loose elements to the boom as per the colour coding.



- 3 Strip and crimp cable, then screw onto balun.



- 4 Loosen mounting bracket and attach to pole, tighten nuts with spanner.



Model Number	Elements	Channels	Frequency	Gain	F/B Ratio	Overall Length	Maximum Width	Polarity
KVHFY6	6	6 - 12	174 - 230Mhz	10.5dB	16dB	1275mm	834mm	Horizontal or Vertical